

Project :	
Model # :	
Item # :	Qty :
Available W/H :	
Approval :	

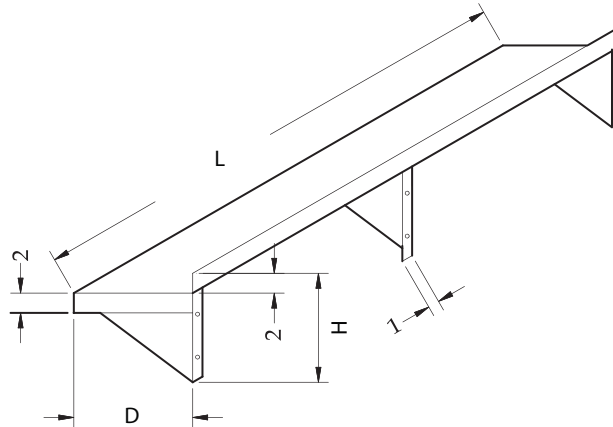
Wall Shelves

Stainless Steel Equipment

HIGH QUALITY 304 STAINLESS STEEL BODY

Model : TSWS-

- ALL 304 STAINLESS STEEL
- WIDE SELECTION OF SIZES
- DIE-FORMED MOUNTING BRACKETS
- SPACE-SAVING WALL MOUNT DESIGN



(Unit : inch)

Model *	Ga.	L	D	H	Net Weight †
TSWS-1224	18	24	12	10	8
TSWS-1236	18	36	12	10	10
TSWS-1248	18	48	12	10	13
TSWS-1260	18	60	12	10	16
TSWS-1272	18	72	12	10	18
TSWS-1284	18	84	12	10	21
TSWS-1296	18	96	12	10	23
TSWS-1424	18	24	14	11	9
TSWS-1436	18	36	14	11	12
TSWS-1448	18	48	14	11	15
TSWS-1460	18	60	14	11	18
TSWS-1472	18	72	14	11	21
TMWS-1922	18	22	19	10	10

Information and specifications are subject to change without notice.

* All units shipped knocked-down.

† All net weights are approximated. Crafting fee will be added for shipping via common carriers (Please confirm at the time of the purchase).